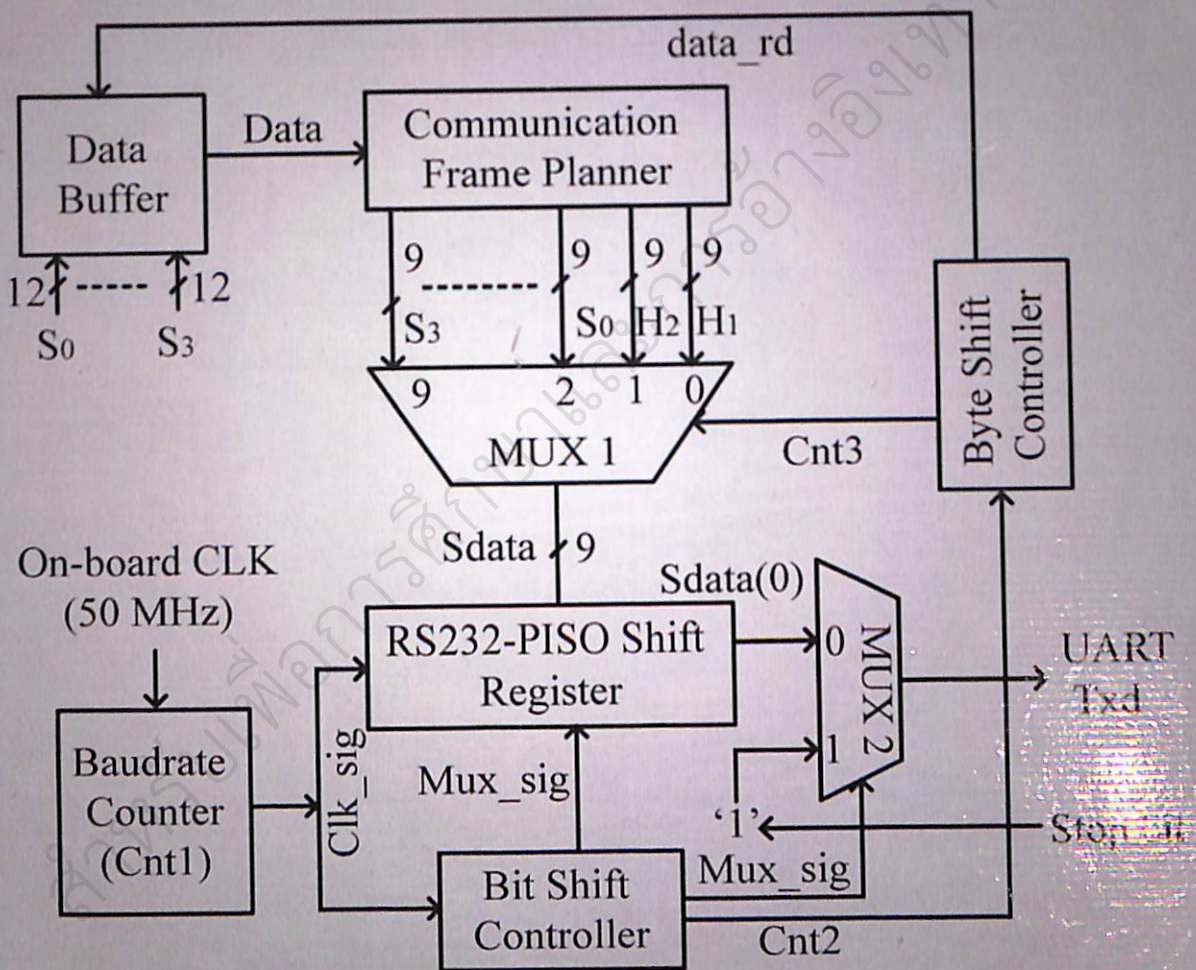


# FPGA-Based Embedded System Developer's Guide



A. Arockia Bazil Raj

มหาวิทยาลัยเทคโนโลยีราชมงคลพระนคร

ห้องสมุดสาขาพระนครเหนือ



502006143



CRC Press  
Taylor & Francis Group

---

# Contents

---

List of Figures .....	xiii
List of Tables .....	xxv
List of Abbreviations .....	xxix
Preface.....	xxxv
Author.....	xxxix

## Part I Basic System Modeling and Programming Techniques

<b>1. Very-Large-Scale Integration Technology: History and Features</b> .....	3
1.1 Introduction and Preview.....	3
1.2 A Review of Microelectronics .....	4
1.3 Complementary Metal Oxide Semiconductor Technology and Gate Configuration.....	7
1.4 CMOS Fabrication and Layout.....	10
1.5 VLSI Design Flow .....	12
1.6 Combinational and Sequential Circuit Design.....	14
1.6.1 Combinational Logic Circuits.....	14
1.6.2 Sequential Logic Circuits.....	15
1.7 Subsystem Design and Layout.....	15
1.8 Types of Application-Specific Integrated Circuits and Their Design Flow.....	17
1.9 VHDL Requirements and Features .....	19
Laboratory Exercises .....	21
<b>2. Digital Circuit Design with Very-High-Speed Integrated Circuit Hardware Description Language</b> .....	23
2.1 Introduction and Preview.....	23
2.2 Code Design Structures .....	24
2.3 Data Types and Their Conversions .....	34
2.4 Operators and Attributes.....	45
2.5 Concurrent Code.....	50
2.6 Sequential Code.....	55
2.7 Flip-Flops and Their Conversions .....	65
2.7.1 Flip-Flops .....	65
2.7.2 Flip-Flop Conversions .....	70
2.8 Data Shift Registers .....	77
2.9 Multifrequency Generator .....	84
Laboratory Exercises .....	89
<b>3. Simple System Design Techniques</b> .....	91
3.1 Introduction .....	91
3.2 Half and Full Adder .....	91
3.3 Half and Full Subtractor .....	96
3.4 Signed Magnitude Comparator .....	98

3.5	Seven-Segment Display Interfacing .....	104
3.6	Counter Design and Interfacing .....	107
3.7	Digital Clock Design and Interfacing .....	115
3.8	Pulse Width Modulation Signal Generation .....	123
3.9	Special System Design Techniques.....	127
3.9.1	Packages and Libraries.....	127
3.9.2	Functions and Procedures.....	131
	Laboratory Exercises .....	134
<b>4.</b>	<b>Arithmetic and Logical Programming.....</b>	<b>135</b>
4.1	Introduction and Preview.....	135
4.2	Arithmetic Operations: Adders and Subtractors .....	136
4.2.1	Serial Adder.....	137
4.2.2	Parallel and Pipelined Adders .....	141
4.2.3	Subtractors .....	146
4.3	Arithmetic Operations: Multipliers.....	152
4.4	Arithmetic Operations: Dividers .....	163
4.5	Trigonometric Computations Using the COordinate Rotation Digital Computer (CORDIC) Algorithm.....	170
4.6	Multiply-Accumulation Circuit.....	185
4.7	Arithmetic and Logical Unit .....	188
4.8	Read-Only Memory Design and Logic Implementations.....	194
4.9	Random Access Memory Design.....	200
	Laboratory Exercises .....	203

## Part II Custom Input/Output Peripheral Interfacing

<b>5.</b>	<b>Input/Output Bank Programming and Interfacing.....</b>	<b>207</b>
5.1	Introduction and Preview.....	207
5.2	Optical Display Interfacing .....	208
5.2.1	Light-Emitting Diode Displays.....	208
5.2.2	Multisegment Display.....	210
5.3	Buzzer Control.....	215
5.4	Liquid Crystal Display Interfacing and Programming.....	217
5.4.1	Liquid Crystal Display.....	217
5.4.2	Graphical Liquid Crystal Display.....	223
5.5	General-Purpose Switch Interfacing .....	228
5.5.1	Dual Inline Package Switch.....	228
5.5.2	Bidirectional Port/Switch Design.....	231
5.5.3	Matrix Keypad Interfacing .....	233
5.6	Dual-Tone Multifrequency Decoder.....	235
5.7	Optical Sensor Interfacing.....	238
5.7.1	Infrared Sensors.....	238
5.7.2	Proximity Sensor.....	242
5.8	Special Sensor Interfacing.....	244
5.8.1	Passive Infrared Sensor.....	245
5.8.2	Metal Detector .....	248
5.8.3	Light-Dependent Resistor.....	251

5.9	Wind-Speed Sensor Interfacing .....	255
	Laboratory Exercises .....	259
<b>6.</b>	<b>System Design with Finite and Algorithmic State Machine Approaches.....</b>	<b>261</b>
6.1	Introduction and Preview.....	261
6.2	Finite State Machine Design: Moore and Mealy Models .....	261
6.2.1	Moore Finite State Machine Design .....	269
6.2.2	Mealy Finite State Machine Design.....	271
6.2.3	Finite State Machine Model Conversion.....	276
6.3	Code Classifier and Binary to Binary-Coded Decimal Converters .....	277
6.3.1	Input Code Classifier.....	278
6.3.2	Binary-to-Binary-Coded-Decimal Converter and Its Arithmetic.....	282
6.4	Binary Sequence Recognizer.....	286
6.5	Vending Machine Controller.....	293
6.6	Traffic Light Controller.....	301
6.7	Escalator, Dice Game and Model Train Controller Designs.....	309
6.7.1	Escalator Controller Design .....	309
6.7.2	Dice Game Controller Design .....	314
6.7.3	Electronic Model Train Controller Design.....	322
6.8	Algorithmic State Machine Charts.....	328
6.9	Algorithmic State Machine-Based Digital System Design.....	332
	Laboratory Exercises .....	336
<b>7.</b>	<b>Interfacing Digital Logic to the Real World: Sensors, Analog to Digital, and Digital to Analog .....</b>	<b>339</b>
7.1	Introduction and Preview.....	339
7.2	Basics of Signal Conditioning for Sensor Interfacing .....	339
7.2.1	Analog to Digital Conversion .....	340
7.2.2	Digital to Analog Conversion .....	341
7.3	Principles of Sensor Interfacing and Measurement Techniques.....	344
7.3.1	Optical Power Measurement.....	344
7.3.2	Temperature Measurement.....	346
7.3.3	Strain Measurement .....	349
7.3.4	Magnitude Comparator .....	350
7.3.5	ADC0804 Interfacing.....	351
7.4	Universal Asynchronous Receiver-Transmitter Design.....	356
7.4.1	Serial Communication: Data Reading/Writing Using MATLAB®.....	358
7.4.2	UART: Transmitter Design .....	365
7.4.3	Universal Asynchronous Receiver-Transmitter Receiver Design.....	371
7.5	Multichannel Data Logging .....	378
7.5.1	ADC0808/ADC0809 Interfacing.....	379
7.5.2	ADC0848 Interfacing.....	384
7.5.3	Analog to Digital Converter MAX1112 Interfacing and Serial Data Fetching.....	396
7.6	Bipolar Signal Conditioning and Data Logging.....	399
7.6.1	Bidirectional Analog to Digital Converter Interfacing.....	399
7.6.2	Opto-Electronic Position Detector Interfacing .....	403
7.7	Encoder/Decoder Interfacing for Remote Control Applications .....	411
7.7.1	Optical Tx/Rx Wireless Control .....	411

7.7.2	Radio Frequency Transmitter/Receiver Wireless Control.....	412
7.8	Pseudorandom Binary Sequence Generator and Time-Division Multiple Access.....	415
7.8.1	Serial Pseudorandom Binary Sequence Generator.....	415
7.8.2	Parallel Pseudorandom Binary Sequence Generator.....	418
7.8.3	Kasami Sequence Generator.....	422
7.8.4	Analog Time Division Multiplexing and M-Array Pulse Amplitude Modulation.....	424
7.9	Signal Generator Design and Interfacing.....	426
7.9.1	Low Voltage Digital to Analog Conversion Using DAC0808.....	426
7.9.2	High-Voltage Digital to Analog Conversion Using DAC7728.....	434
	Laboratory Exercises.....	438

### Part III Hardware Accelerated Designs

8.	Real-Time Clock and Interface Protocol.....	441
	Programming.....	441
8.1	Introduction and Preview.....	441
8.2	Real-Time Clock (DS12887) Interface Programming.....	442
8.3	Inter-Integrated Circuit Interface Programming.....	449
8.4	Two-Wire Interface (SHT11 Sensor) Programming.....	456
8.5	Serial Peripheral Interface (SCP1000D) Programming.....	461
8.6	Global System for Mobile Communications Interface Programming.....	467
8.7	Global Positioning System Interface Programming.....	478
8.8	Personal System/2 Interface Programming.....	480
8.9	Video Graphics Array Interface Programming.....	484
	Laboratory Exercises.....	492
9.	Real-World Control Device Interfacing.....	493
9.1	Introduction and Preview.....	493
9.2	Relay, Solenoid Valve, Opto-Isolator, and Direct Current Motor Interfacing and Control.....	493
9.2.1	Relay Control.....	494
9.2.2	Solenoid Valve Control.....	497
9.2.3	Opto-Isolator Interfacing.....	501
9.2.4	Direct Current Motor Control.....	504
9.3	Servo and BLDC Motor Interfacing and Control.....	508
9.3.1	Servo Motor Control.....	508
9.3.2	Brushless Direct Current Motor Control.....	511
9.4	Stepper Motor Control.....	515
9.5	Liquid/Fuel Level Control.....	518
9.6	Voltage and Current Measurement.....	522
9.7	Power Electronic Device Interfacing and Control.....	526
9.8	Power Electronics Bidirectional Switch Interfacing and Control.....	532
9.8.1	Triac Control.....	532
9.8.2	Diac Controller.....	536
9.9	Real-Time Process Controller Design.....	538
	Laboratory Exercises.....	544

<b>10. Floating-Point Computations with Very-High-Speed Integrated Circuit Hardware Description Language and Xilinx System Generator (SysGen) Tools</b> .....	547
10.1 Introduction and Preview .....	547
10.2 Representation of Fixed and Floating-Point Binary Numbers .....	549
10.2.1 Fixed-Point Number System .....	549
10.2.2 IEEE754 Single-Precision Floating-Point Number System .....	553
10.2.3 IEEE754 Double-Precision Floating-Point Number System .....	556
10.2.4 Customized Floating-Point Number System .....	558
10.3 Floating-Point Arithmetic .....	561
10.3.1 Floating-Point Addition .....	562
10.3.2 Floating-Point Subtraction .....	565
10.3.3 Floating-Point Multiplication .....	568
10.3.4 Floating-Point Division .....	573
10.4 Xilinx System Generator (SysGen) Tools .....	575
10.4.1 Use and Interfacing Methods of Some Blocksets .....	577
10.4.2 System Design and Implementation Using SysGen Tools .....	583
10.5 Fractional-Point Computation Using SysGen Tools .....	594
10.6 System Engine Model Using Xilinx Simulink Block Sets .....	603
10.7 MATLAB® Code Interfacing with SysGen Tools .....	610
10.8 Very-High-Speed Integrated Circuit Hardware Description Language Code Interfacing with SysGen Tools .....	614
10.9 Real-Time Verification and Reconfigurable Architecture Design .....	620
10.9.1 Design Flow for Hardware Co-Simulation .....	620
10.9.2 Reconfigurable Architecture Design .....	622
Laboratory Exercises .....	624

## Part IV Miscellaneous Design and Applications

<b>11. Digital Signal Processing with Field-Programmable Gate Array</b> .....	627
11.1 Introduction and Preview .....	627
11.2 Discrete Fourier Transform .....	628
11.3 Digital Finite Impulse Response Filter Design .....	641
11.4 Digital Infinite Impulse Response Filter Design .....	644
11.5 Multirate Signal Processing .....	650
11.6 Modulo Adder and Residual Number Arithmetic Systems .....	663
11.6.1 Modulo $2^n$ and $2^n-1$ Adder Design .....	663
11.6.2 Residue Number System .....	665
11.7 Distributed Arithmetic-Based Computations .....	672
11.8 Booth Multiplication Algorithm and Design .....	684
11.9 Adaptive Filter/Equalizer Design .....	690
Laboratory Exercises .....	698
<b>12. Advanced SysGen-Based System Designs</b> .....	701
12.1 Introduction and Preview .....	701
12.2 Fast Fourier Transform Computation Using SysGen Design .....	701
12.3 Finite Impulse Response Digital Filter Design .....	704
12.4 Infinite Impulse Response Digital Filter Design .....	710

12.5	Multiply Accumulation Finite Impulse Response Filter Using SysGen Design .....	712
12.6	Cascaded Integrator Comb Filter Design .....	715
12.7	COordinate Rotation DIgital Computer Design Using SysGen Tools .....	719
12.8	Image Processing Using Discrete Wavelet Transform .....	722
12.9	Very-High-Speed Integrated Circuit Hardware Description Language Design Debugging Techniques .....	727
12.9.1	ChipScope Pro Analyzer .....	728
12.9.2	Very-High-Speed Integrated Circuit Hardware Description Language Test-Bench Design .....	729
12.9.3	Data/Text File Reading/Writing .....	732
	Laboratory Exercises .....	739
<b>13.</b>	<b>Contemporary Design and Applications .....</b>	<b>741</b>
13.1	Introduction and Preview .....	741
13.2	Differential Pulse Code Modulation System Design .....	741
13.3	Data Encryption System .....	744
13.4	Soft Computing Algorithms .....	750
13.4.1	Artificial Neural Network .....	751
13.4.2	Fuzzy Logic Controller .....	753
13.5	Bit Error Rate Tester Design .....	755
13.6	Optical Up/Down Data Link .....	761
13.7	Channel Coding Techniques .....	766
13.7.1	Linear Block Code .....	767
13.7.2	Convolutional Code .....	769
13.8	Pick-and-Place Robot Controller .....	773
13.9	Audio Codec (AC97) Interfacing .....	775
	Laboratory Exercises .....	781
	<b>Appendix A .....</b>	<b>783</b>
	<b>References .....</b>	<b>791</b>
	<b>Index .....</b>	<b>797</b>

สามารถยืมและติดตามหนังสือใหม่ได้ที่ ระบบห้องสมุดอัตโนมัติ Walai Autolib

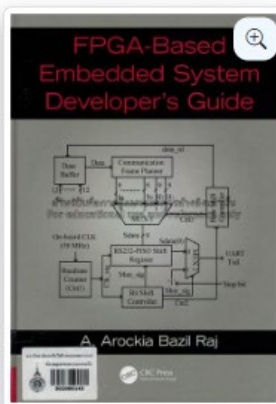
<https://lib.rmutp.ac.th/bibitem?bibid=b00108233>



**FPGA based embedded system developer's guide / A. Arockia Bazil Raj.**

Raj, A. Arockia Bazil.

My list



Subject

[VHDL \(Computer hardware description language\).](#)  
[Embedded computer systems.](#)  
[Signal processing.](#)

Details

Published Boca Raton : CRC Press, c2018.  
Edition 1st ed.  
Detail xxxix, 806 p. : ill ; 26 cm.  
ISBN 9781498796750

0 10 0

MARC

Export

Save

Share

สำหรับการศึกษาระดับปริญญาโทและปริญญาเอก