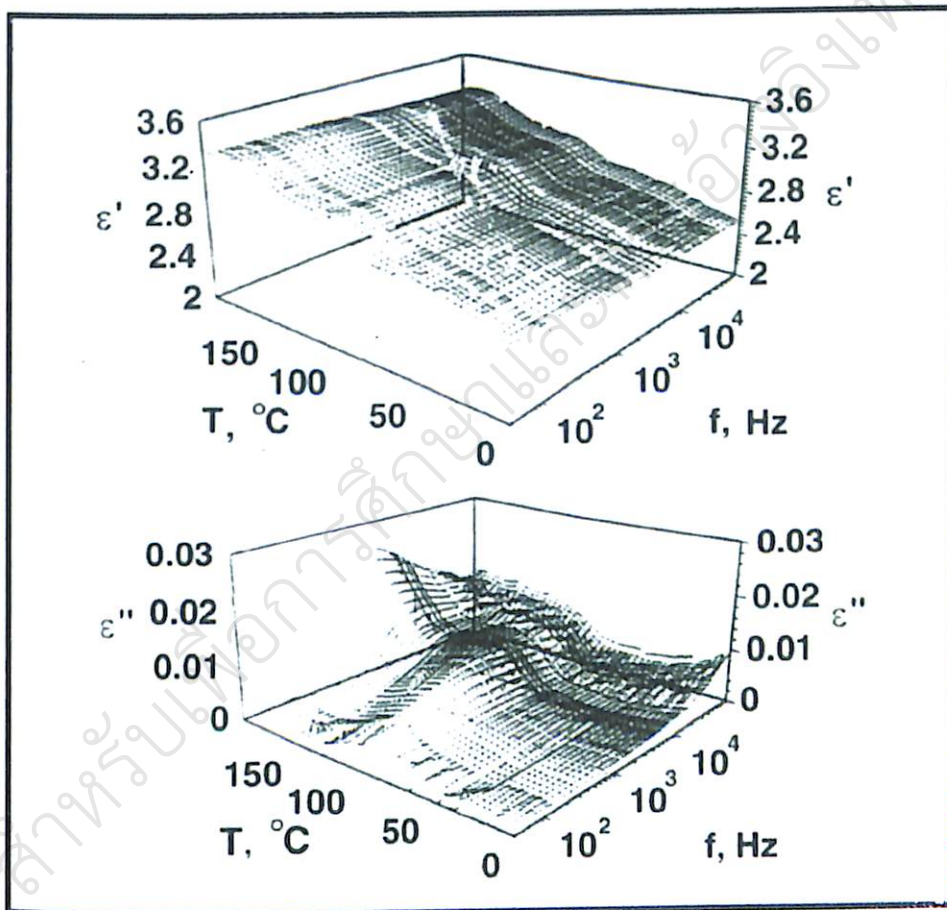


Dielectrics in Electric Fields



Gorur G. Raju

มหาวิทยาลัยเทคโนโลยีราชมงคลพระนคร

ห้องสมุดสาขาพระนครเหนือ



502006131



CRC Press
Taylor & Francis Group

CONTENTS

Series Introduction *Preface*

Chapter 1 **Introductory Concepts**

- 1.1 A dipole
- 1.2 The potential due to a dipole
- 1.3 Dipole moment of a spherical charge
- 1.4 Laplace's equation
 - 1.4.1 A dielectric sphere immersed in a different medium
 - 1.4.2 A rigid dipole in a cavity within a dielectric
 - 1.4.3 Field in a dielectric due to a conducting inclusion
- 1.5 The tunneling phenomenon
- 1.6 Band theory of solids
 - 1.6.1 Energy bands in solids
 - 1.6.2 The Fermi level
 - 1.6.3 Electron emission from a metal
 - 1.6.4 Field intensification factor
- 1.7 Energy distribution function
- 1.8 The Boltzmann factor
- 1.9 A comparison of distribution functions
- 1.10 References

Chapter 2

Polarization and Static Dielectric Constant

- 2.1 Polarization and dielectric constant
- 2.2 Electronic polarization
- 2.3 The internal field
- 2.4 Orientational polarization
- 2.5 Debye equations
- 2.6 Experimental verification of Debye equation
- 2.7 Spontaneous polarization
- 2.8 Onsager's theory
- 2.9 Theory of Kirkwood
- 2.10 Dielectric constant of two media
 - 2.10.1 Raleigh's formula
 - 2.10.2 Wiener's formula
 - 2.10.3 Formula of Lichtenecker and Rother
 - 2.10.4 Goldschmidt's Equation
- 2.11 The dissipation factor
- 2.12 Dielectric constant of liquid mixtures
 - 2.12.1 Raleigh's formula
 - 2.12.2 Formula of Meredith and Tobias
 - 2.12.3 Bruggeman's formula
 - 2.12.4 Looyenga's formula
 - 2.12.5 Böttcher's formula
- 2.13 Effect of high electric fields
- 2.14 Atomic polarizability
- 2.15 References

Chapter 3

Dielectric Loss and Relaxation-I

- 3.1 Complex permittivity
- 3.2 Polarization build up
- 3.3 Debye equations
- 3.4 Bi-stable model of a dipole
- 3.5 Complex plane diagram
- 3.6 Cole-Cole relaxation
- 3.7 Dielectric properties of water
- 3.8 Davidson-Cole equation
- 3.9 Macroscopic relaxation time
- 3.10 Molecular relaxation time
- 3.11 Straight line relationships

Contents

- 3.12 Frohlich's analysis
- 3.13 Fuoss-Kirkwood equation
- 3.14 Havriliak and Negami dispersion
- 3.15 Dielectric susceptibility
- 3.16 Distribution of relaxation times
- 3.17 Kramer-Kronig relations
- 3.18 Loss factor and conductivity
- 3.19 References

Chapter 4

Dielectric Loss and Relaxation-II

- 4.1 Jonscher's universal law
- 4.2 Cluster approach of Dissado-Hill
- 4.3 Equivalent circuits
 - 4.3.1 A series equivalent circuit
 - 4.3.2 Parallel equivalent circuit
 - 4.3.3 Series-parallel circuit
 - 4.3.4 Summary of simple equivalent circuits
- 4.4 Interfacial polarization
- 4.5 The Absorption phenomenon
- 4.6 Frequency dependence of ϵ^*
- 4.7 References

Chapter 5

Experimental Data (Frequency Domain)

- 5.1 Introduction to polymer science
 - 5.1.1 Classification of polymers
 - 5.1.2 Molecular weight and size
 - 5.1.3 Glass transition temperature
 - 5.1.4 Crystallinity of polymers
 - 5.1.5 Thermally stable groups
 - 5.1.6 Polymer degradation and defects
 - 5.1.7 Dipole moment of polymers
 - 5.1.8 Molecular structure
- 5.2 Nomenclature of Relaxation Processes
- 5.3 Non-Polar Polymers
 - 5.3.1 Polyethylene
 - 5.3.2 Poly(tetrafluoroethylene)
- 5.4 Polar Polymers

- 5.4.1 Polypropylene
- 5.4.2 Poly(vinyl chloride)
- 5.4.3 Polychlorotrifluoroethylene
- 5.4.4 Polycarbonate
- 5.4.5 Poly(methyl methacrylate)
- 5.4.6 Poly(vinyl acetate)
- 5.4.7 Polystyrene
- 5.4.8 Poly(ethylene terephthalate)
- 5.4.9 Polyisoprene
- 5.4.10 Epoxy Resins
- 5.4.11 Polyamides
- 5.4.12 Polyimides
- 5.5 Scaling methods
- 5.6 Concluding Remarks
- 5.7 References

Chapter 6

Absorption and Desorption Currents

- 6.1 Absorption current in a dielectric
- 6.2 Hamon's approximation
- 6.3 Distribution of relaxation time and dielectric function
 - 6.3.1 Cole-Cole function
 - 6.3.2 Davidson-Cole function
 - 6.3.3 Fuoss-Kirkwood function
 - 6.3.4 Havriliak-Negami function
- 6.4 The Williams-Watts function
- 6.5 The $G(\tau)$ function for William-Watt current decay
- 6.6 Experimental measurements
 - 6.6.1 Poly(vinyl acetate)
- 6.7 Commercial dielectrics
 - 6.7.1 Aramid paper
 - 6.7.2 Composite polyamide
 - 6.7.3 Poly(ethylene terephthalate)
 - 6.7.4 Fluoropolymer
 - 6.7.5 Polyimide
- 6.8 References

Chapter 7

Field Enhanced Conduction

- 7.1 Some general comments

Contents

- 7.2 Motion of charge carriers in dielectrics
- 7.3 Ionic conduction
- 7.4 Charge injection into dielectrics
 - 7.4.1 The tunneling phenomenon
 - 7.4.2 Schottky emission
 - 7.4.3 Hopping mechanism
 - 7.4.4 Poole-Frenkel Mechanism
 - 7.4.5 Space charge limited current (trap free)
 - 7.4.6 Space charge limited current (with traps)
- 7.5 Space charge phenomenon in non-uniform fields
- 7.6 Conduction in selected polymers
 - 7.6.1 Conduction in polyethylene
 - 7.6.2 Conduction in fluoropolymers
 - 7.6.3 Aromatic polyimide
 - 7.6.4 Aromatic polyamide
- 7.7 Numerical computation
- 7.8 Closing remarks
- 7.9 References

Chapter 8

Fundamental Aspects of Gaseous Breakdown–I

- 8.1 Collision phenomena
 - 8.1.1 Elastic collision
 - 8.1.2 Collision cross section
 - 8.1.3 Probability of collision
 - 8.1.4 Inelastic collisions
 - 8.1.5 Mean free path
 - 8.1.6 Ionization by collision
 - 8.1.7 Direct ionization
 - 8.1.8 Dissociative ionization
 - 8.1.9 Excitation
 - 8.1.10 Dissociative excitation
 - 8.1.11 Photoexcitation
 - 8.1.12 Electron attachment
 - 8.1.13 Electron detachment
 - 8.1.14 Recombination
 - 8.1.15 Secondary ionization coefficient
 - 8.1.16 Photo-ionization
 - 8.1.17 Electron swarm coefficients
- 8.2 Electron Growth in an Avalanche

- 8.3 Criteria for Breakdown
- 8.4 Paschen's Law
- 8.5 Breakdown time lags
 - 8.5.1 The statistical time lag
 - 8.5.2 Formative time lags in uniform fields
 - 8.5.3 Formative time lags in cylindrical geometry
- 8.6 The streamer mechanism
 - 8.6.1 The leader mechanism
- 8.7 Field distortion due to space charge
- 8.8 Sparkover characteristics of uniform field gaps in SF₆
- 8.9 Sparkover characteristics of long gaps
- 8.10 Breakdown voltages in air with alternating voltages
- 8.11 Concluding remarks
- 8.12 References

Chapter 9

Fundamental Aspects of Electrical Breakdown-II

- 9.1 Electron energy distribution functions (EEDF)
 - 9.1.1 EEDF: The Boltzmann equation
 - 9.1.2 EEDF: The Monte Carlo method
- 9.2 Streamer formation in uniform fields
- 9.3 The corona discharge
- 9.4 Basic mechanisms: Negative corona
- 9.5 Basic Mechanisms: Positive corona
- 9.6 Modeling of corona discharge: Continuity equations
- 9.7 Non-equilibrium considerations
- 9.8 Monte Carlo simulation: Negative corona in SF₆
- 9.9 Monte Carlo Simulation: Positive corona in SF₆
- 9.10 Concluding Remarks
- 9.11 References

Chapter 10

Thermally Stimulated Processes

- 10.1 Traps in insulators
- 10.2 Current due to thermally stimulated depolarization (TSDC)
- 10.3 TSD currents for distribution of activation energy
- 10.4 TSD currents for universal relaxation mechanism
- 10.5 TSD currents with ionic space charge
- 10.6 TSD currents with electronic conduction
- 10.7 TSD currents with corona charging

Contents

- 10.8 Compensation temperature
- 10.9 Methods and analyses
- 10.10 TSD and AC dielectric properties
- 10.11 References

Chapter 11

Space Charge in Solids Dielectrics

- 11.1 The meaning of space charge
- 11.2 Polarons and traps
- 11.3 A conceptual approach
- 11.4 The thermal pulse method of Collins
- 11.5 DeReggi's analysis
- 11.6 Laser intensity modulation method (LIPP)
- 11.7 The pressure pulse method
 - 11.7.1 Laser induced pressure pulse method
 - 11.7.2 Thermoelastic stress waves
 - 11.7.3 Pressure wave propagation (PWP) method
 - 11.7.4 Nonstructured acoustic probe method
 - 11.7.5 Laser generated acoustic pulse method
 - 11.7.6 Acoustic pulse generated by mechanical excitation
 - 11.7.7 Piezo-Electric Pressure Step Method (PPS)
 - 11.7.8 Pulsed Electro-Acoustic Stress Method
 - 11.7.9 Electron Beam Method
 - 11.7.10 Special Techniques
- 11.8 Experimental Results
- 11.9 Closing Remarks
- 11.10 References

Appendix 1: Trade Names of Polymers

Appendix 2: General Classification of Polymer Dielectrics

Appendix 3: Selected Properties of Insulating Materials

Appendix 4: Relative Ranking of Thermoplastic Polymers

Appendix 5: Selected Properties of Polymer Insulating Materials

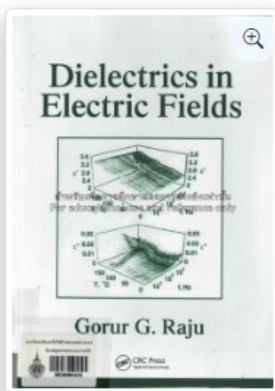
Index

สามารถยืมและติดตามหนังสือใหม่ได้ที่ ระบบห้องสมุดอัตโนมัติ Walai Autolib

<https://lib.rmutp.ac.th/bibitem?bibid=b00108259>

B Dielectrics in electric fields / Gorur G. Raju.
Raju, Gorur G.

My list



Subject [Dielectrics.](#)
[Electric fields.](#)

Details

Published New York : CRC Press, 2019.
Detail xvii, 578 p. : ill ; 26 cm.
ISBN 9780367446826

10 5 0

MARC

Export

Save

Share

สำหรับการศึกษาระดับปริญญาโทและปริญญาเอก